

## USB 3.1 Type C AOC



### Description

USB 3.1 Type C AOC is the first Data Cable with pure fiber in the market. HD signal transmission depending on optical fiber, not only its support length become much longer (above 100m), but also signal quality is much more stable, no EMI completely, especially can support 10Gbps super speed, meets USB3.1 standard. It is a mature & competitive solution in the high speed data transmission market. This optical fiber cable can be applying to computer with USB type C interface, Wearable tech, TV, Display, Projectors ...among them, used for audio/video transmission.

## Key Features

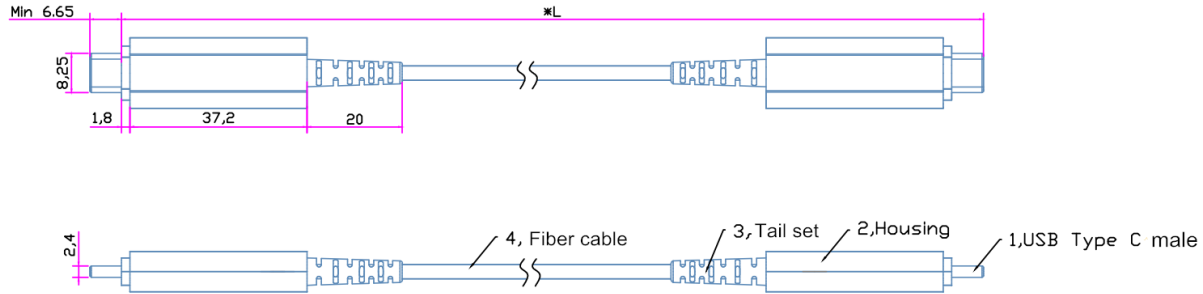
1. Meet USB 3.1 Standard, bandwidth can reach to 10Gbps super speed;
2. Support length up to 100m. (Custom length is available);
3. Hybrid optical cable with fiber and copper wire;
4. Support two sides plug and play, support charging;
5. No RF interference, working stable in complex environments.

## Specifications

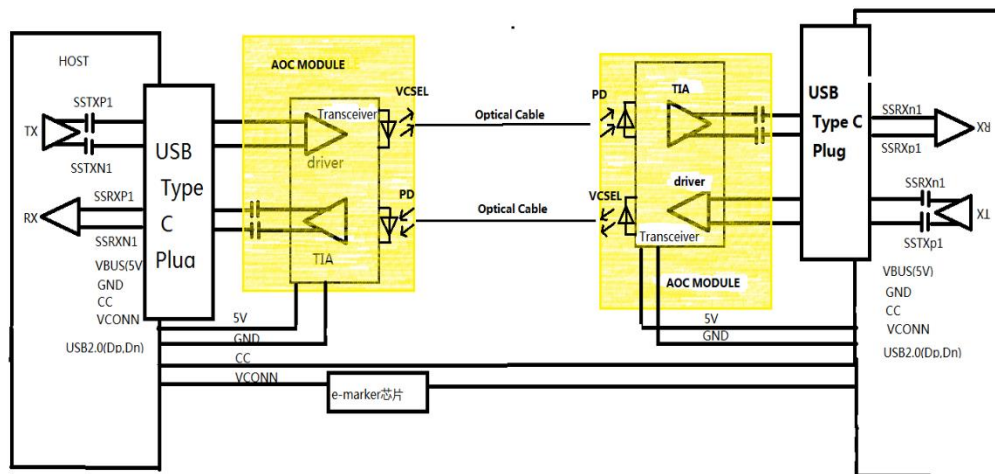
Specification of USB 3.1 Type C AOC is as follows:

Item	Description
Connector Type	USB Type C
Bandwidth	10Gbps
Power Consumption	≤0.5W
Supported Distance	100m
Operating Temperature	-40°C ~ +70 °C
Flammability	UL13 Standard
Environment Protection	ROHS

# Structure



USB 3.1 Type C AOC Drawing



How USB 3.1 Type C AOC Works

## Application

USB 3.1 Type C AOC is used for Mobile terminal , for example , Mobile Phone 、 PC、 Power Bank 、 U Disk 、 Cameras 、 Wearable devices , also can be applying to Home Theatre 、 Medical Imaging Equipment 、 LED signboards in streets and in stadiums、 TV broadcast Station、 Airplane On-board Video System 、 Conference Room、 Digital Signage...etc.

